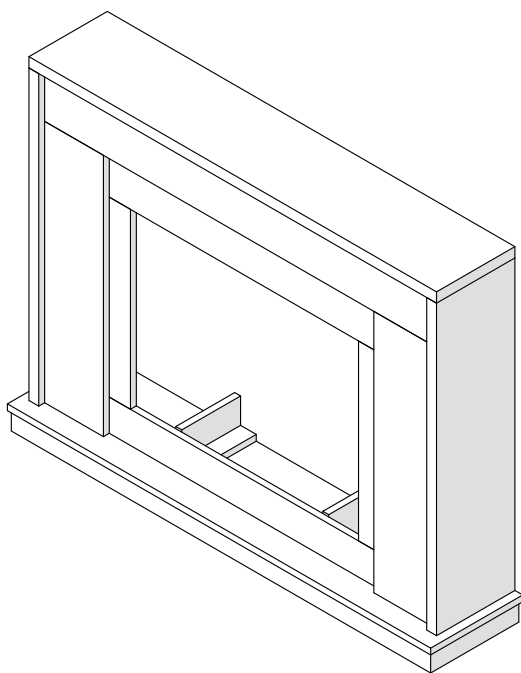


FIREPLACE MANTEL

ASSEMBLY INSTRUCTIONS

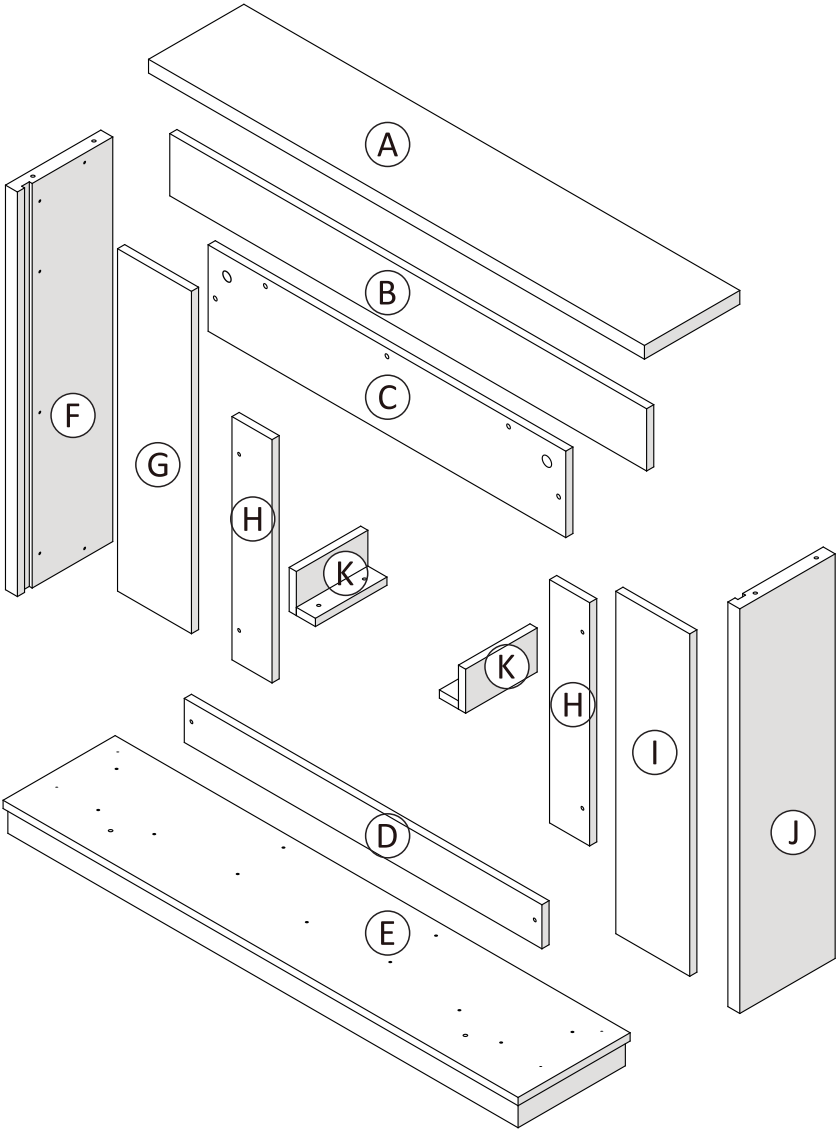
MT378C



If you have a problem with this product, **DO NOT RETURN**.
Call our customer service ,Tel: 01785 719005, or
E-mail: customerservice@modelo.co.uk



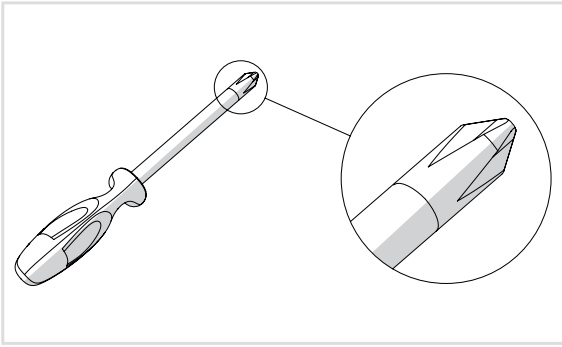
PARTS LIST


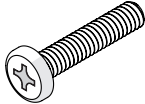
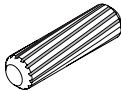
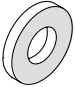
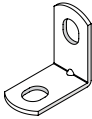



PARTS AND ACCESSORIES

Tools required:

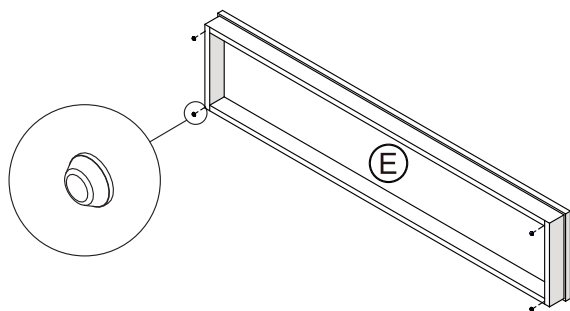
A screwdriver will be needed.



 41 x M6x12mm	 16 x M6x28mm	 11 x ø 8x30mm
 16 x	 21 x	 6 x

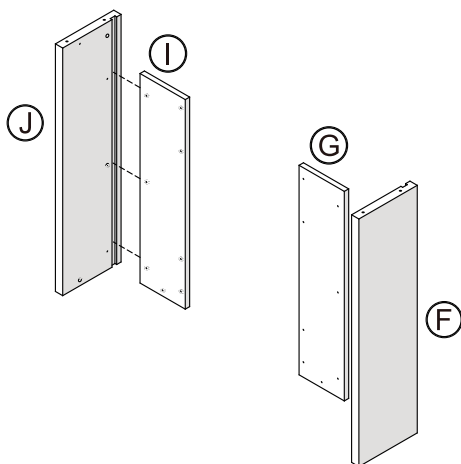
ASSEMBLY INSTRUCTIONS

01



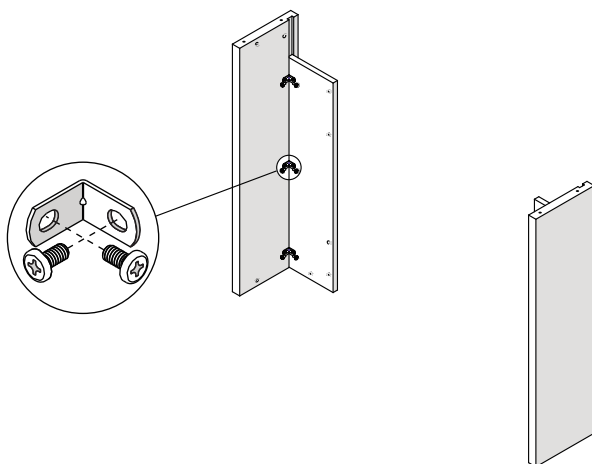
Carry out this assembly step on both sides

02



Carry out this assembly step on both sides

03



12x

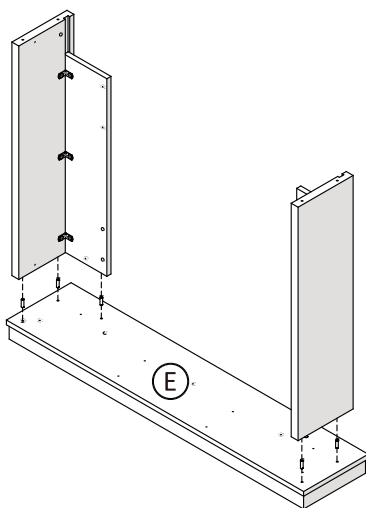
M6x12mm

6x



Carry out this assembly step on both sides

04

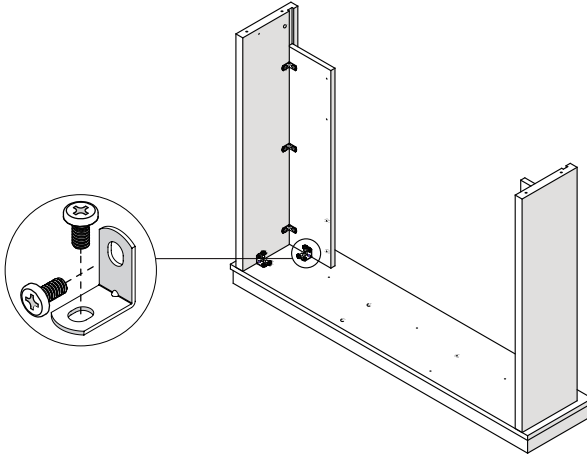


6x

ø 8x30mm

Carry out this assembly step on both sides

05



8x



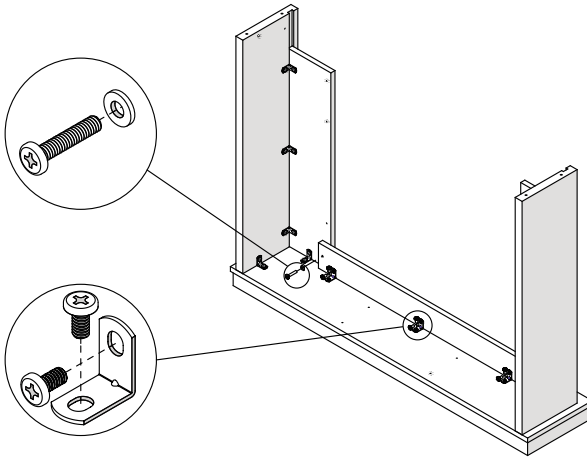
M6x12mm

4x



Carry out this assembly step on both sides

06



6x



M6x12mm

2x



M6x28mm

3x

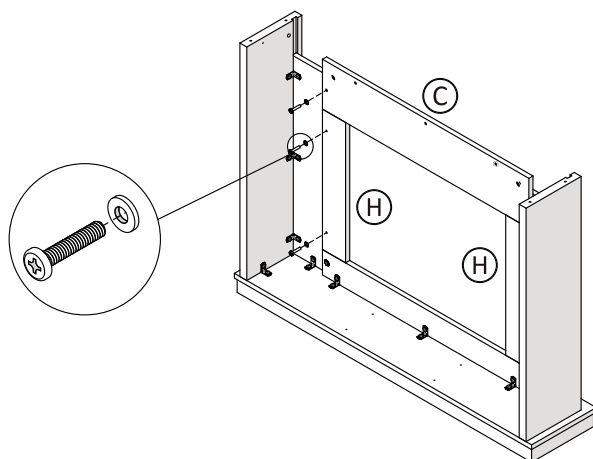


2x



Carry out this assembly step on both sides

07



6x



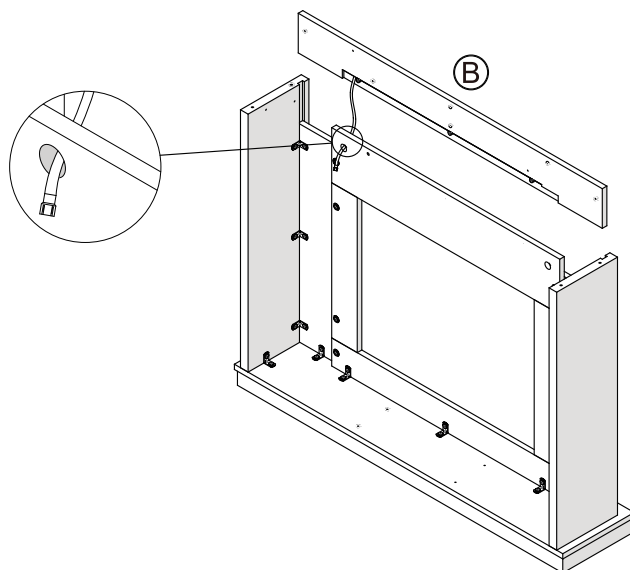
M6x28mm

6x

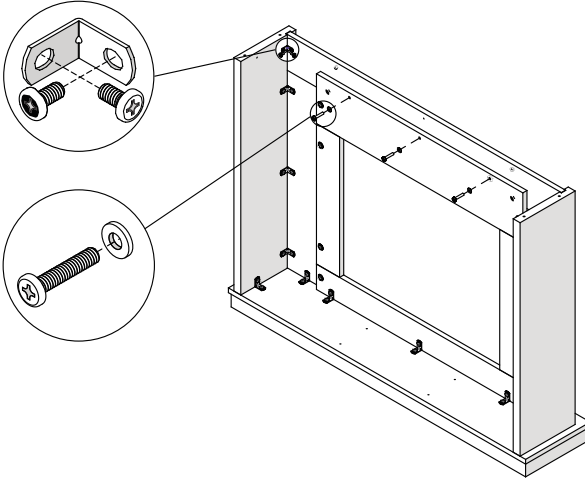


Carry out this assembly step on both sides

08



09



4x
M6x12mm

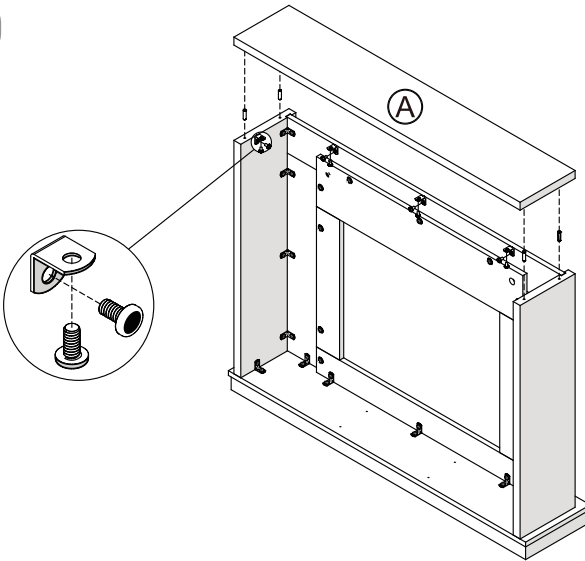
3x
M6x28mm

2x

3x

Carry out this assembly step on both sides

10



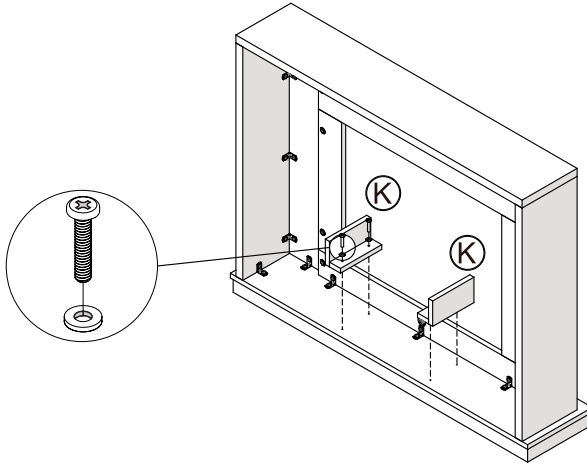
10x
M6x12mm

5x

4x
ø 8x30mm

Carry out this assembly step on both sides

11



4x

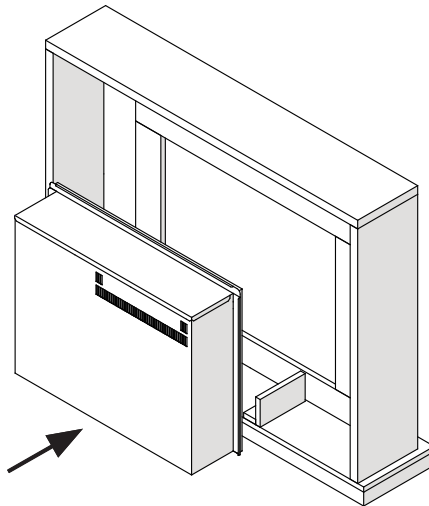
M6x28mm

4x



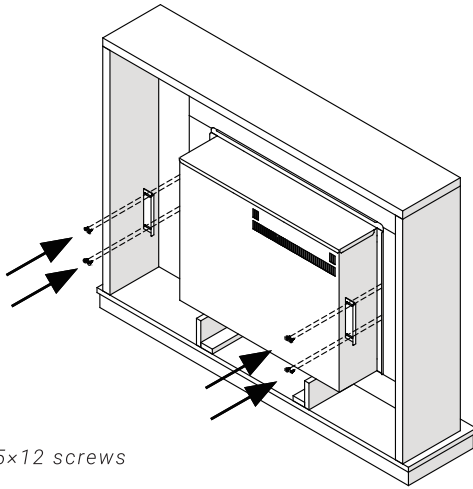
Carry out this assembly step on both sides

12



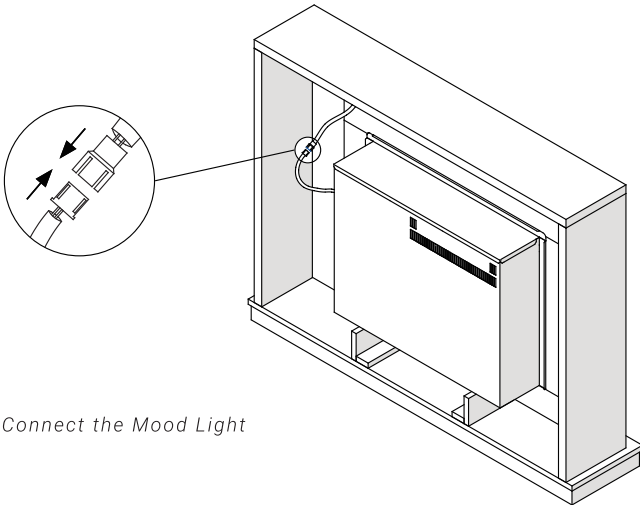
Rear side of the mantel

13



Use 8 pcs ST3.5×12 screws

14



Connect the Mood Light

Distributor: Modello Ltd
Deansfield House
98 Lancaster Road
Newcastle under Lyme
Staffordshire, ST5 1DS
England

Tel: 01785 719005
Email: customerservice@modello.co.uk

3.MT.378.05.215
